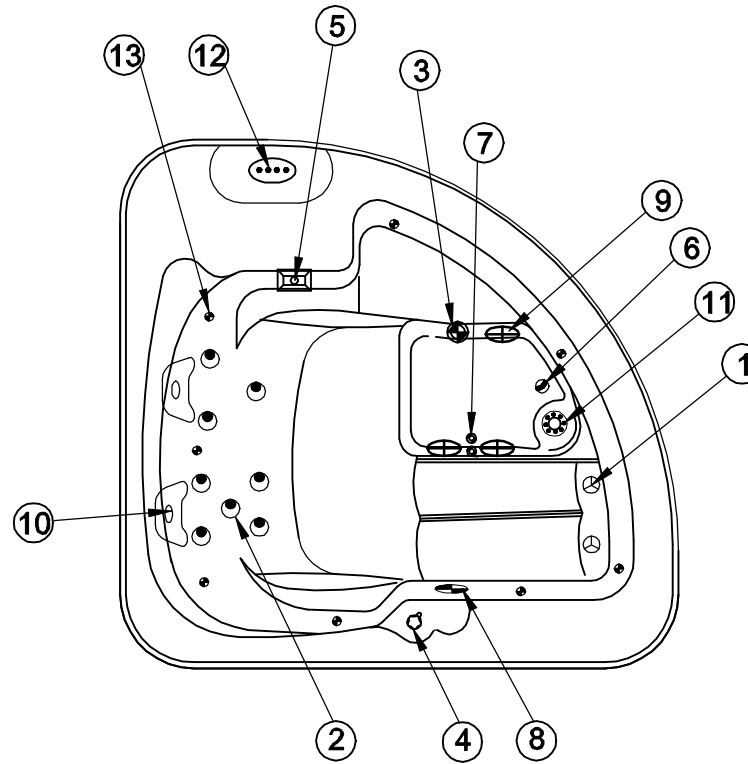


Notes: Due to manufacturing tolerances, there could be some minor differences between the actual spa and the drawing above. If site planning is critical to such tolerances, be sure to measure your actual spa. All specifications are subject to change without notice. Some components may be optional on your spa.

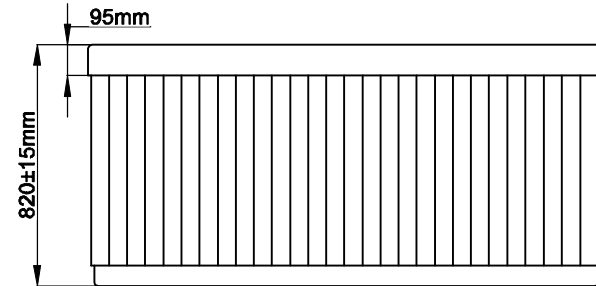
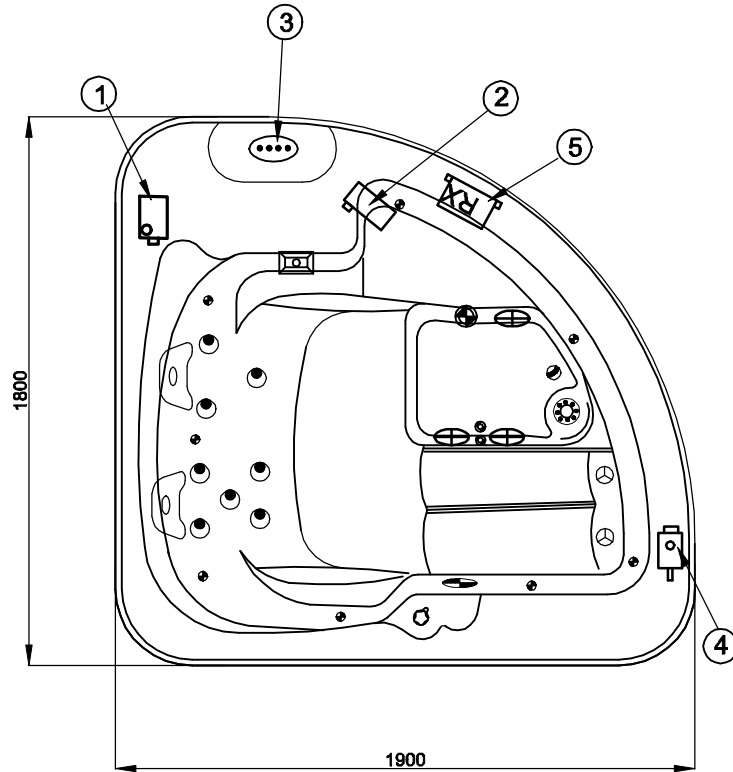


Notes: Due to manufacturing tolerances, there could be some minor differences between the actual spa and the drawing above. If site planning is critical to such tolerances, be sure to measure your actual spa. All specifications are subject to change without notice. Some components may be optional on your spa.

12	+	01.03.03.0066	MINI Perimeter LED light	8	pcs
11	⊙	01.03.04.0366	5 inch Directional River Jet Internal	1	pc
NO	ICON		DESCRIPTION	QTY	UNIT

10	☰	01.03.03.0878	EVA butterfly pillow	2	pcs
9	⊖	01.03.03.0228	2" Suction (full set) - SS face	3	pcs
8	☞	01.03.03.0107	5" Light housing without Holder	1	pc
7	⦿	01.03.03.0129	Ozone Injector	2	pcs
6	⊙	01.03.04.0343	3/4 stainless steel floor drain	1	pc
5	☰	01.03.04.0340	Single cylinder skimmer	1	pc
4	⊕	01.03.04.0217	1" Air Check Valve Assembly	1	pc
3	⊙	01.03.04.0333	4" Jet internal-Directinal	1	pc

2	⊙	01.03.04.0334	4" Jet internal-Single pulse	8	pcs
1	⊙	01.03.04.0330	3" Jet internal-Directinal	2	pcs
NO	ICON		DESCRIPTION	QTY	UNIT



Notes: Due to manufacturing tolerances, there could be some minor differences between the actual spa and the drawing above. If site planning is critical to such tolerances, be sure to measure your actual spa. All specifications are subject to change without notice. Some components may be optional on your spa.

5		01.02.06.03.0007	1HP Circulation Pump	1	pc
4		01.03.05.04.90	Gecko YE3 Control Box(2KW Heater)	1	pc
3		01.03.05.05.39	K300 Gecko YE3 Top Panel	1	pc
2		01.03.05.00.35	CP Ozone Generator	1	pc
1		01.03.05.05.23	3HP Single Speed Pump	1	pc
NO	ICON		DESCRIPTION	QTY	UNIT
ZC.SL3200S.0001 Edition:13/7/2017					