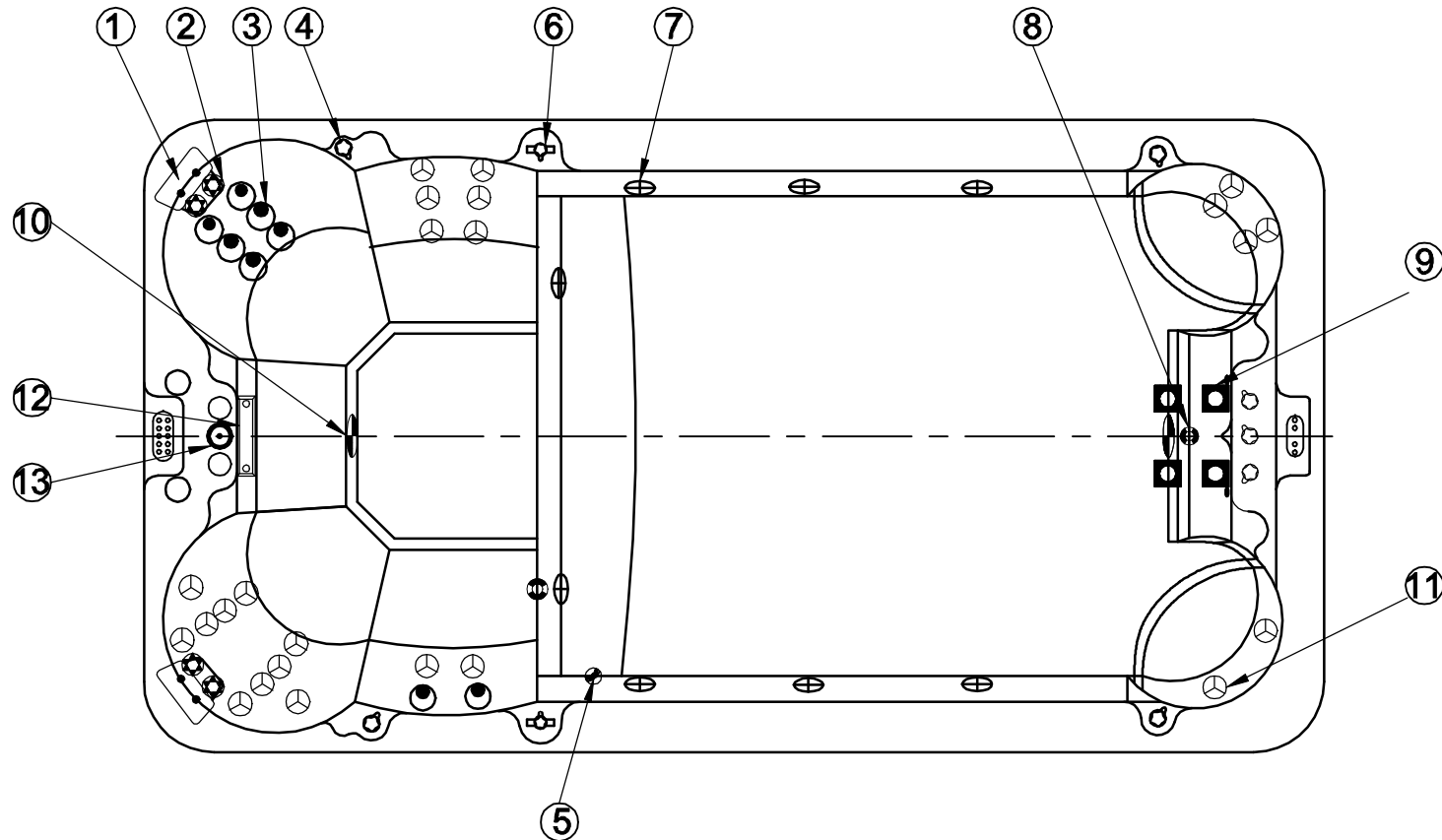
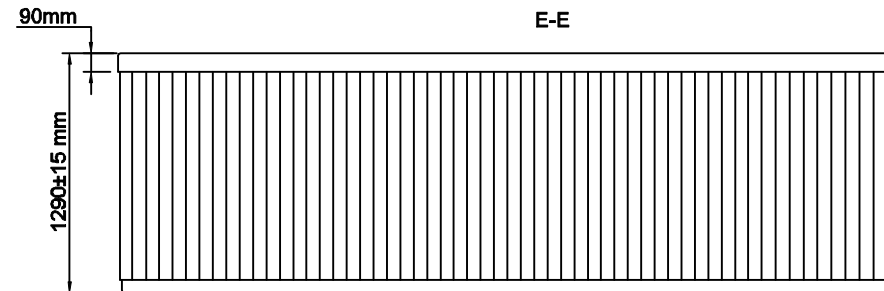
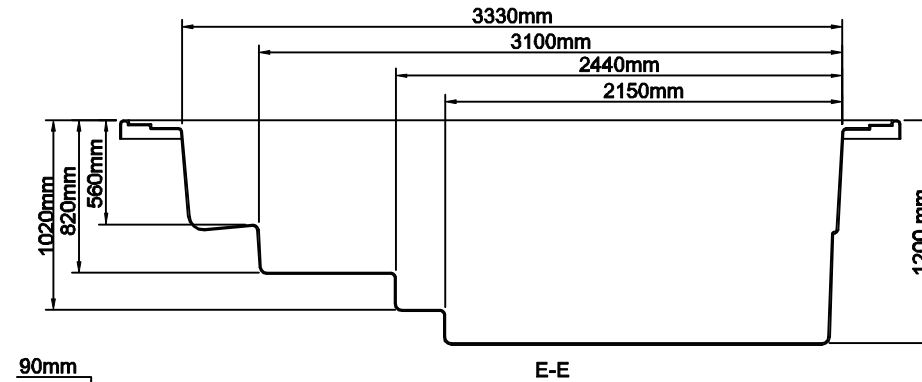
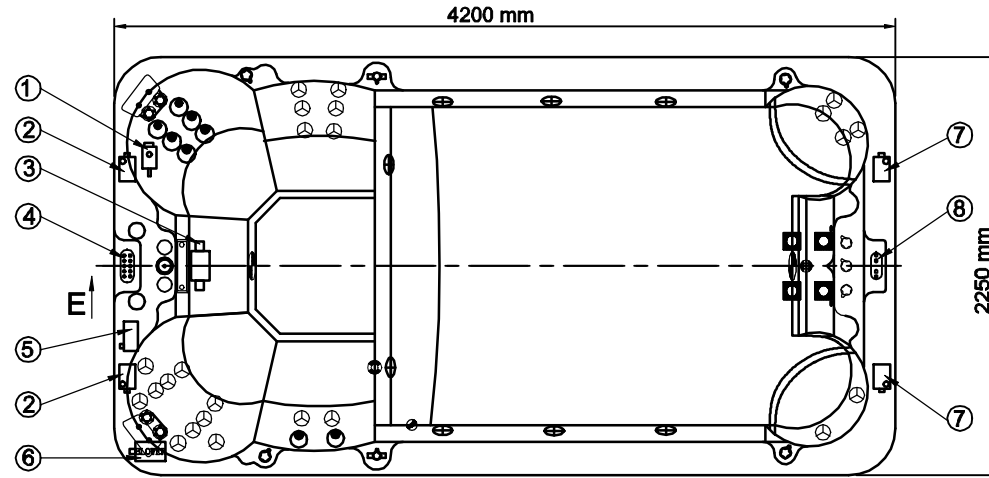


Notes: Due to manufacturing tolerances, there could be some minor differences between the actual spa and the drawing above. If site planning is critical to such tolerances, be sure to measure your actual spa. All specifications are subject to change without notice. Some components may be optional on your spa.



9	☐	Swim Jet with inner diameter 38mm-Force 10	01.03.04.0104	4	pcs
8	⊙	Ozone Injector	01.03.03.0129	3	pcs
7	⊕	2" Suction (full set) - SS face	01.03.03.0248	8	pcs
6	⊕	2" Water diverter valve	01.03.03.0215	2	pcs
5	⊕	Star-Shape SS Bottom Drain	01.03.04.0099	1	pcs
4	⊕	1" Air Check Valve Assembly	01.03.03.0133	7	pcs
3	⊕	4" Jet internal-Single pulse	01.03.04.0089	8	pcs
2	⊕	2" Jet Internal-Directional	01.03.04.0078	4	pcs
1	⊕	EVA Headrest-Trapeziform	01.03.03.0375	2	pcs

13	⊕	Swim Pole Base	01.03.06.0189	1	pcs					
12	⊕	Twin Cilinder Skimmer (carbon grey)	01.03.03.0095	1	pc					
11	⊕	3" Jet internal-Directinal	01.03.04.0082	24	pcs					
10	⊕	5" Light housing without Holder	01.03.03.0108	2	pcs					
NO	ICON	PART #	QTY	UNIT	NO	ICON	DESCRIPTION	PART #	QTY	UNIT



- a. Used M8 cross head screw for skirting;
- b. Used the same color ball valve for plumbing works;
- c. Cut away extra cables of all equipment;

6	3HP Single Speed Pump(8M Power cable)	01.03.05.0555	2	pcs
5	CP Ozone Generator	01.03.05.0035	1	pc
4	K1000 Gecko	01.03.05.0439	1	pc
3	Gecko YT-5 Control Box(3KW Heater)	01.03.05.0348	1	pc
2	3HP Single Speed Pump	01.03.05.0553	2	pcs
1	1HP Circulation Pump	01.03.05.0469	1	pc
NO/CON	DESCRIPTION	PART #	QTY	UNIT

Notes: Due to manufacturing tolerances, there could be some minor differences between the actual spa and the drawing above. If site planning is critical to such tolerances, be sure to measure your actual spa. All specifications are subject to change without notice. Some components may be optional on your spa.