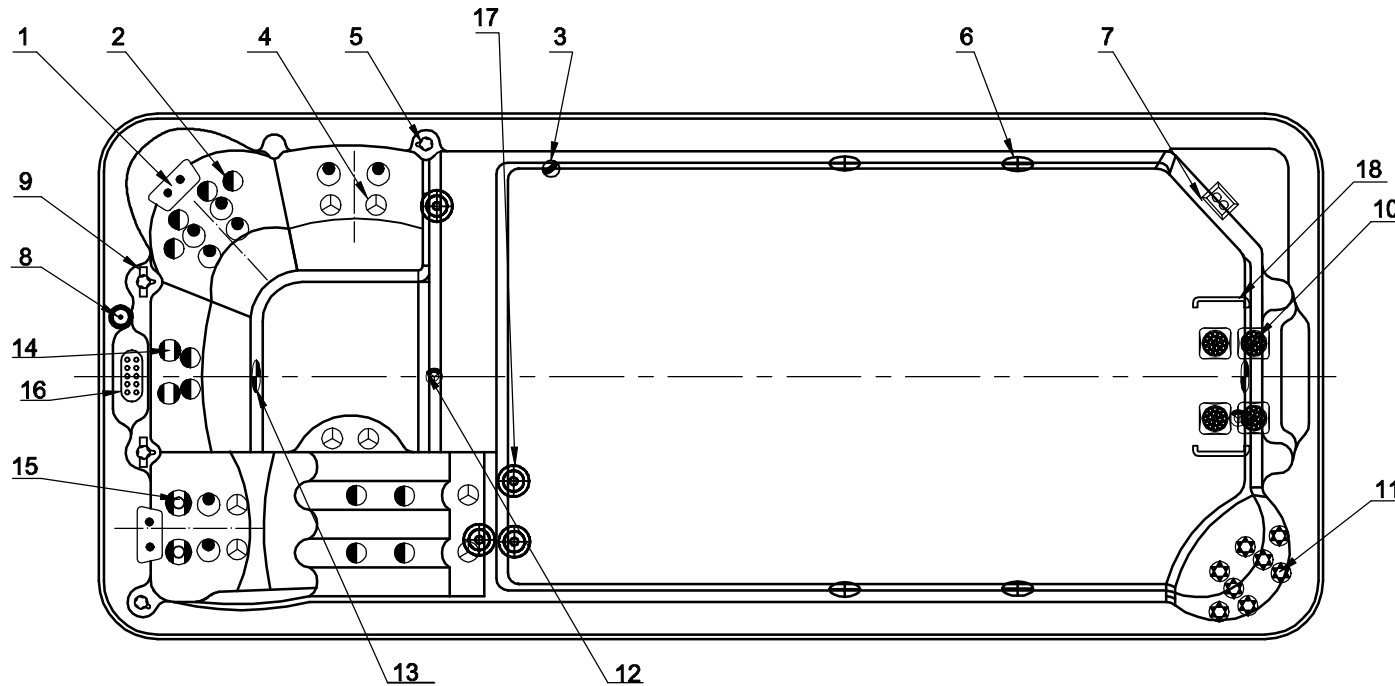


Notes: Due to manufacturing tolerances, there could be some minor differences between the actual spa and the drawing above. If site planning is critical to such tolerances, be sure to measure your actual spa. All specifications are subject to change without notice. Some components may be optional on your spa.

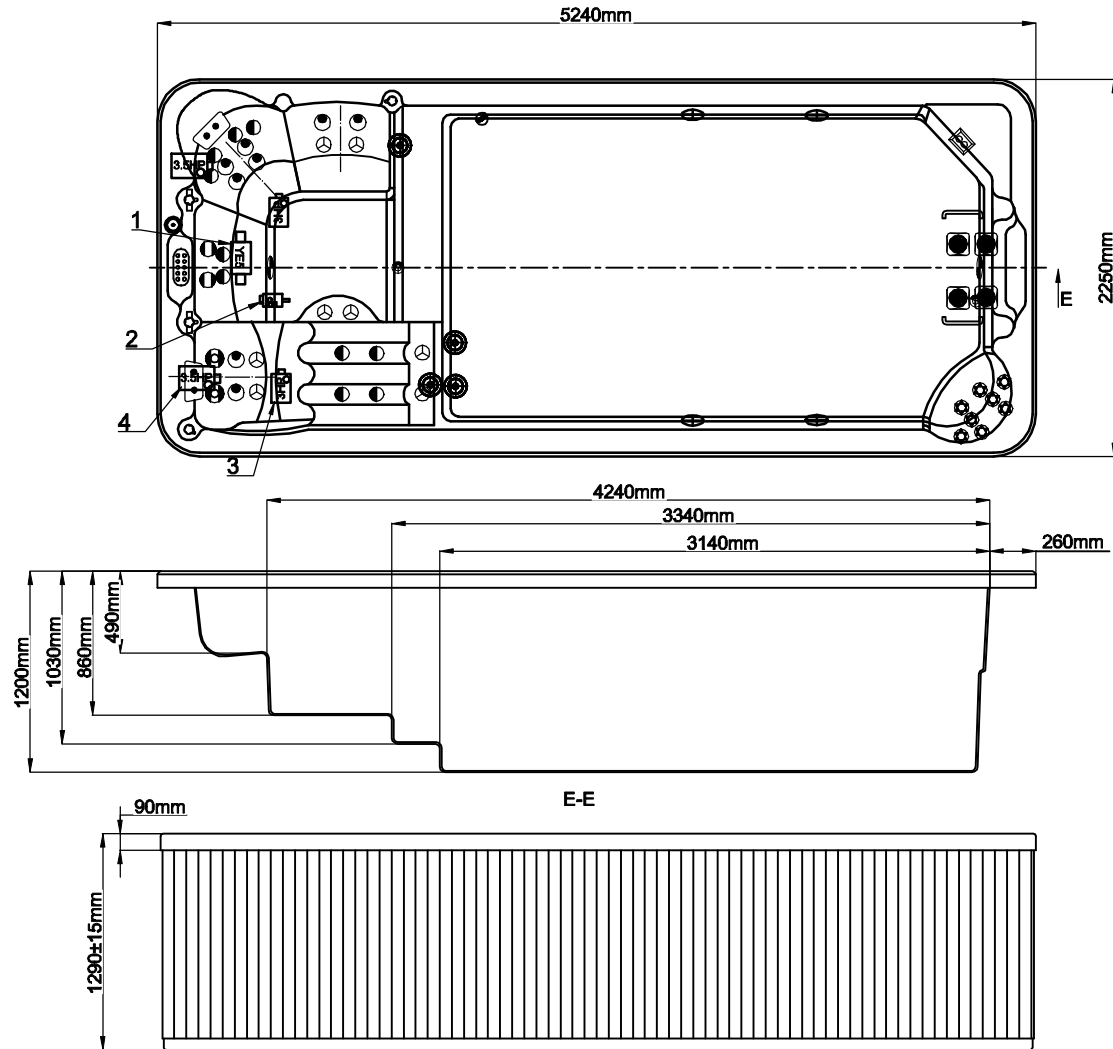


11		2" Jet Internal-Directional	01.03.04.0078	8	pcs
10		3"Swim Jet	01.03.04.0177	4	pcs
9		2"Water diverter valve	01.03.03.0215	2	pcs
8		Swim Pole Base	01.02.12.0004	1	pcs

18		Stainless steel Handrail(Ø28*180mm)	01.02.12.0001	2	pcs	7		Twin Cilinder Skimmer (carbon grey)	01.02.13.05.0120	1	pcs
17		3"Suction (full set)	01.03.03.0472	4	pcs	6		2"Suction (full set)	01.03.03.0248	4	pcs
16		CONTROL PANEL	01.03.05.0650	1	pcs	5		1" Air Check Valve Assembly	01.03.03.0217	2	pcs
15		5" Jet Internal-Twin pulse	01.03.04.0094	2	pcs	4		3" Jet internal-Directional	01.03.04.0082	8	pcs
14		Large 3" Jet internal-Twin pulse	01.03.04.0087	4	pcs	3		Bottom Drain	01.03.04.0099	1	pcs
13		5" Light housing without Holder	01.03.03.0108	2	pcs	2		Large 3" Jet internal-Single pulse	01.03.04.0086	10	pcs
12		Ozone Connection (Whole Set)	01.03.03.0221	2	pcs	1		EVA Headrest-Trapeziform	01.03.03.0375	2	pcs

Notes: Due to manufacturing tolerances, there could be some minor differences between the actual spa and the drawing above. If site planning is critical to such tolerances, be sure to measure your actual spa. All specifications are subject to change without notice. Some components may be optional on your spa.

NO	ICON	DESCRIPTION	PART #	QTY	UNIT	NO	ICON	DESCRIPTION	PART #	QTY	UNIT
----	------	-------------	--------	-----	------	----	------	-------------	--------	-----	------



4		3.5HP Single Speed PUMP	01.03.05.0693	2	pcs
3		3HP Single Speed PUMP	01.03.05.0553	2	pcs
2		1HP Circulation Pump-JA100	01.03.05.0469	1	pcs
1		Control Box (IN.YE5)	01.03.05.0348	1	pcs
NO	ICON	DESCRIPTION	PART #	QTY	UNIT
Edition:05/12/2018			ZC.OD52.0155		

Notes: Due to manufacturing tolerances, there could be some minor differences between the actual spa and the drawing above. If site planning is critical to such tolerances, be sure to measure your actual spa. All specifications are subject to change without notice. Some components may be optional on your spa.